

---

# Voltage-Dip Proofing Inverters<sup>™</sup> & Voltage-Dip Compensators<sup>™</sup>

prevent production down time caused by momentary voltage sags and interruptions.



***DIP-PROOFING***  
**TECHNOLOGIES  INC.**  
LEADERS IN VOLTAGE-DIP PROOFING

---

# Contents

Foreword .....3  
Power Quality Problems .....4  
Power Quality Solutions .....5

## DPI Specifications

DPI 52 series all models .....6  
Mechanical .....10  
DPI support for SEMI F47 standard .....13

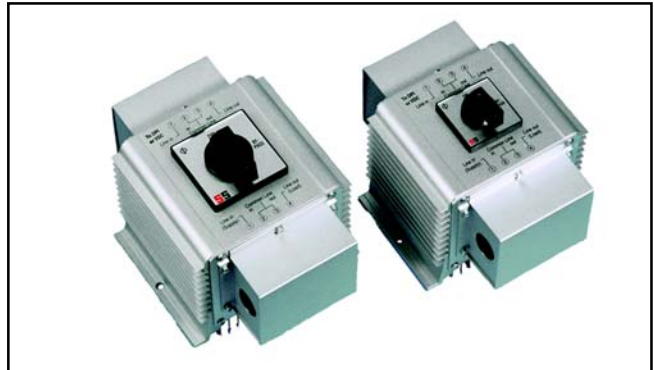
## VDC Specifications

VDC S & VDC L series all models .....8  
Mechanical .....10  
VDC support for SEMI F47 standard .....12

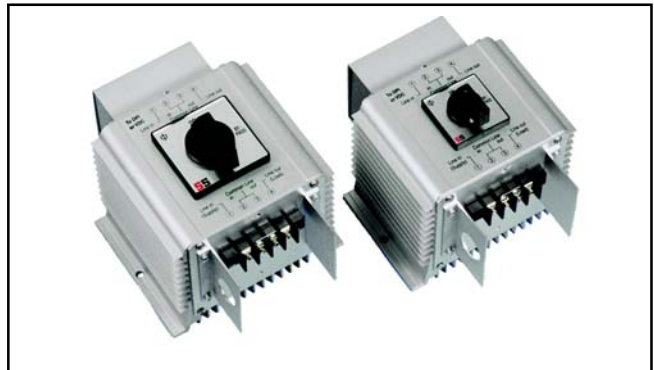
## Accessories

Voltage Sag Simulator .....14  
Housed Bypass Switches .....15

## Accessories



*Bypass Switches 4 term, 40 & 10 amp*



*Bypass Switches 4 term, 40 & 10 amp*



*Voltage Sag Simulator*

# Foreword

**Switching Systems** was founded in 1971 by F.V. Fischer. Over the past three decades we have established ourselves as leading designers and manufacturers of intrinsically safe, ground continuity monitors and voltage-dip proofing systems.

All our products are manufactured to comply with various industry standards. We have a sophisticated research and development laboratory for application specific projects.

Our staff is a team dedicated to providing product quality and service excellence. An innovative spirit and continuous product improvement ensures the reliability of all our products.

Switching Systems is represented in the U.S.A. by Dip-Proofing Technologies Inc. who manage exports, North American sales, technical support and service for our range of Voltage-Dip Proofing Inverters & Voltage-Dip Compensators. Dip-Proofing Technologies Inc. is dedicated to providing cost effective solutions to power quality problems caused by sags and momentary power interruptions.

We look forward to being of service to you.

**F. V. Fischer**  
Managing Director

Your representative is :

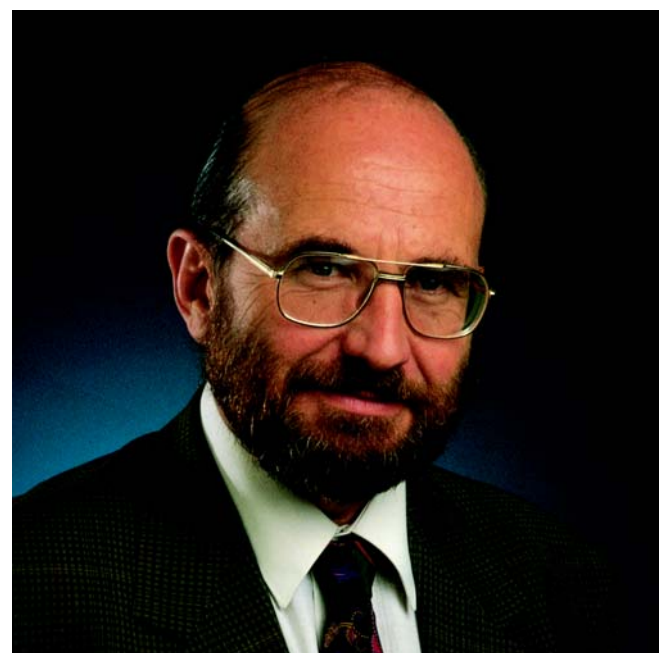
## Other products



*Ground Continuity Monitor & Filter*



*Pilot Wire Control Relays & Accessories*



*F. V. Fischer Managing Director Switching Systems*

---

# Power Quality Problems

## A brief introduction

### **Voltage dips/sags & momentary interruptions defined.**

An interconnected power system will, in the normal course of operation, experience short duration voltage dips/sags and momentary interruptions. A momentary voltage dip or sag can be defined as a reduction in the rms value of the supply voltage with duration of up to 3 seconds. A momentary interruption can be defined as a complete loss of supply voltage with duration of up to 3 seconds.

### **Causes of momentary Voltage Dips/Sags & Interruptions.**

These events may occur naturally as a result of lightning strikes on high tension lines, flashovers caused by fires under the line, dirty insulators, snow storms, overgrown vegetation or animals. Disconnecting the supply to extinguish the arc and then reconnecting normally clears these types of fault. This process is known as auto re-closing and results in a momentary supply interruption. The most common artificial causes are heavy load switching, starting large motors and internal short circuits.

### **SEMI F47 standard.**

The semiconductor industry formulated the F47 standard in order to define a common level of voltage sag immunity for semiconductor manufacturing equipment. The standard requires the equipment to function correctly when subjected to a variable depth supply voltage sag with a maximum depth of 50% and a duration of 1 second. Manufacturers of semiconductor tools design the equipment to meet the F47 sag immunity standard.

### **The ITIC Curve**

The Computer and Business Equipment Manufacturers Association (CBEMA) collected data and a curve was developed as a reference for the ride through capability of data

processing equipment. Subsequently The Information Technology Industry Council (ITIC) updated this curve. The curve shows that a voltage sag of 30% (supply drops to 70% of nominal value) will adversely affect equipment operation.

### **Problem overview**

Power Quality studies have been carried out for some time and a large volume of data has been collected and analyzed. Briefly, the data shows that a distribution customer experiences over 50 events per annum where the supply voltage sags below 90% of nominal. The majority of sags have a duration of 166ms (10Hz) or less with a depth of 20 to 30% (supply drops to 80-70% of nominal value). It should be noted that the number and magnitude of events experienced can vary greatly from one location to another also distribution customers will be subjected to considerably more events than a customer fed directly from the transmission grid or via a premium grid. It is important to note that even premium grid users experience momentary sags and interruptions. Faults anywhere in the power system will cause momentary sags with a duration determined by fault clearing devices. Circuit breakers can take up to 100ms to clear a fault in a transmission system and auto re closing from 300ms to 3 seconds. Fault clearing in a distribution system can take considerably longer, the actual time depending on the substation protection equipment settings. It is clear that all power users will experience power quality events and if their business depends on continuous production processes they can expect process disruptions due to voltage dips and momentary interruptions.

**We offer cost effective solutions to these problems!**

---

# Power Quality Solutions:

## Voltage Dip Proofing Inverter

Our Voltage-Dip Proofing Inverters offer a low cost *maintenance free* solution to production line stoppages caused by short power interruptions. Energy storage capacitors eliminate the need for battery maintenance and hazardous waste disposal.

The inverters can withstand large surge currents and are therefore ideally suited for contactor operation. When specifying an inverter only the nominal load VA needs to be considered, in contrast a UPS system must be specified for the peak load.

With a power factor range of  $\cos\phi$  from 1 to 0 the inverters can supply highly inductive loads such as contactors, starters and relays.

The inverters are easy to incorporate during the manufacture of new switchgear and, due to their small physical size, existing switchgear can be retrofitted without difficulty.

The Voltage-Dip Proofing Inverter can be used in any continuous process plant which is susceptible to short power interruptions or voltage dips and, in particular, when the restart of such process is complex and costly.

A single phase voltage dip on a three phase system would have little effect on the motors, however if the motor controls are fed by this phase, then the contactors would drop out causing the plant to shut down unnecessarily.

When compared to other products that offer a solution, such as PLC's or DC contactors, the Voltage-Dip Proofing Inverter is up to five times more cost effective and offers much simpler integration into existing systems. Compared to a UPS system, long term costs are lower, the DPI is more robust and better suited to coping with industrial environments. Compared to CVT's, the DPI is more tolerant of variable loads, provides longer ride-through and more accurate control.

## Voltage Dip Compensator


The reliability of electrical power to industry is in general very high, nevertheless, voltage sags or dips do occur. These instabilities are caused by short circuits, lightning strikes on overhead power lines and heavy load switching. The duration of such faults is generally shorter than one second. Power Quality data shows that voltage sags with a maximum depth of around 50% constitute 92% of all events.

Most plant can ride through such voltage dips by virtue of their mechanical and electrical inertia. However, this is not the case with electrically held-in contactors and relays that control the machinery. Contactors typically drop out from 5ms to 20ms after power is removed. Each short voltage dip now becomes a power failure and the plant must be restarted. This can be complicated, time-consuming and costly.

Our Voltage Dip Compensators are designed to maintain the switchgear control voltage during voltage sags, effectively keeping the plant connected. The stored electrical and magnetic energy is allowed to flow, supporting the mechanical inertia of the machinery. When the supply recovers after a short voltage dip, the plant is still running at near synchronous speed, the inrush currents will be small and the stress to the system minimal. The VDC provides an economic solution for users who need their equipment to comply with the Semi F47 standard for voltage sag immunity.

Historically, this problem has been addressed by using DC contactors, latched contactors and intelligent controls such as PLC's. These systems are complex and expensive and do not provide a solution for equipment already in service. The current approach to this problem has been to employ intelligent control systems that provide a curative solution. In contrast, the Voltage Dip Compensator, is a preventative solution.

# DPI Specifications

	120V MODELS													
	DPI52S25-12	DPI52S50-12	DPI52S95J12	DPI52S190J12	DPI52L1K5-12	DPI52L238J12		DPI52L475J12	DPI52L713J12	DPI52L3K12	DPI52L950J12	DPI52L1188J12	DPI52L1663J12	DPI52L2376J12
<b>AC INPUT SUPPLY</b>														
Single phase supply voltage:	120V 50/60Hz													
Maximum input voltage:	+10%													
Full load current (A):	2.1A	4.2A		8.4A		16.7A		25A						
<b>STATIC SWITCH</b>														
Nominal off-state voltage:	150Vac RMS													
Peak off-state voltage:	800V													
Nominal current (A):	2.1A	4.2A		8.4A		16.7A		25A						
Short time overload current (<100ms):	26A			60A										
Non-repetitive peak on-state current (10ms):	26A			180A										
<b>INVERTER</b>														
Nominal output voltage:	120Vac RMS													
Voltage fluctuations over full operating range:	-15% to +10%													
Nominal load current (A):	2.1A	4.2A		8.4A		16.7A		25A						
Power factor range:	cos Φ from 1 to 0													
Wave shape:	Stepped square													
Nominal inductive load (VA):	250	500		1500		2000		3000						
Storage capacitors (F):	.0066	.0132	.0264	.033	.033		.066	.099	.066	.132	.165	.231	.33	
Usable stored energy factor (η):	0.33	0.36		0.38		0.39								
Minimum up-time as function of the load (t):	$t = (\eta * C_{cap} * V_{supply}) \div (I_{load} * \cos \Phi)$													
Transistor peak current limit:	26A			50A										
Output frequency:	50/60Hz ±1%													
HBC fuse rating :	16A			32A										
<b>TIMER</b>														
Range:	0.1 to 3.1s													
Setting:	0.1s steps													
Maximum recovery time of capacitors to 1,4Vin:	<1s	<1.5s	<1s	<1.5s		<3s	<2.5s	<1s	<3s	<3.7s	<3.4s	<4.9s		
<b>INDICATORS</b>														
System OK:	green LED													
Inverter running:	red LED													
<b>TEMPERATURE</b>														
Maximum ambient working temperature:	45°C (113°F)													
<b>CUBICLE</b>														
Construction:	Extruded Aluminum													
Height (mm) (Dim. L3 on p10):	259	309	309	379	329	329		355	419	419	507	507	644	787
Height (in) (Dim. L3 on p10):	10.20	12.17	12.17	14.92	12.95	12.95		13.98	16.50	16.50	20.28	20.28	25.76	30.89
Width mm (in):	150 (5.90)				311 (12.24)									
Depth mm (in):	110 (4.33)				162 (6.38)									
Mass (kg):	3.0	3.6	3.3	4.3	7.5	7.5		9.3	9.3	9.3	14.4	15.7	20.6	27.0
Mass (lbs):	6.61	7.93	7.30	9.50	16.53	16.53		20.50	25.27	25.7	31.75	34.61	45.42	59.52
<b>CONNECTION</b>														
Cable, Copper panel wire:	2mm <sup>2</sup> (14 AWG)				5mm <sup>2</sup> (10AWG)									
Screw terminal torque:	1.76 Nm (15.6 lb-in)													
<b>LISTINGS</b>														
Underwriters Laboratories Inc:	UL Listed, Control # 37WJ / File # E205817													

## WARNING

Risk of electric shock! Dangerously high voltages can be present up to 2 hours after the DPI has been disconnected. NEVER attempt maintenance on the DPI during this period unless storage capacitors have been manually discharged.


# DPI Specifications

	208 / 230V MODELS											
	DPI52S25-23	DPI52S50-23	DPI52S108J23	DPI52S216J23	DPI52L2K23	DPI52L396J23	DPI52L4K5-23	DPI52L794J23	DPI52L1587J23	DPI52L2381J23	DPI52L3174J23	DPI52L3968J23
<b>AC INPUT SUPPLY</b>												
Single phase supply voltage:	208 / 230Vac 50/60Hz											
Maximum input voltage:	+10%											
Full load current (A):	1.1A	2.2A		8.7A		20A						
<b>STATIC SWITCH</b>												
Nominal off-state voltage:	150Vac RMS											
Peak off-state voltage:	800V											
Nominal current (A):	1.1A	2.2A		8.7A		20A						
Short time overload current (<100ms):	26A		60A									
Non-repetitive peak on-state current (10ms):	26A		180A									
<b>INVERTER</b>												
Nominal output voltage:	208 / 230Vac RMS											
Voltage fluctuations over full operating range:	-15% to +10%											
Nominal load current (A):	1.1A	2.2A		8.7A		20A						
Power factor range:	cos Φ from 1 to 0											
Wave shape:	Stepped square											
Nominal inductive load (VA):	250	500		2000		4500						
Storage capacitors (F):	.00204	00408	.00828	.015	.03	.06	.09	.12	.15			
Usable stored energy factor (η):	0.39	0.43	0.42	0.46	0.47							
Minimum up-time as function of the load (t):	$t = (\eta * C_{cap} * V_{supply}) \div (I_{load} * \cos \Phi)$											
Transistor peak current limit:	26A		50A									
Output frequency:	50/60Hz ±1%											
HBC fuse rating :	16A		32A									
<b>TIMER</b>												
Range:	0.1 to 3.1s											
Setting:	0.1s steps											
Maximum recovery time of capacitors to 1,4Vin:	<1s		<1.4s		<2s	<3s	<3.6s					
<b>INDICATORS</b>												
System OK:	green LED											
Inverter running:	red LED											
<b>TEMPERATURE</b>												
Maximum ambient working temperature:	45°C (113°F)											
<b>CUBICLE</b>												
Construction:	Extruded Aluminum											
Height (mm) (Dim. L3 on p10):	259	309	309	379	329	329	419	419	595	785	974	1145
Height (in) (Dim. L3 on p10):	10.20	12.17	12.17	14.92	12.95	12.95	16.50	16.50	23.43	30.91	38.35	45.08
Width mm (in):	150 (5.80)				311 (12.24)							
Depth mm (in):	110 (4.33)				162 (6.38)							
Mass (kg):	3.0	3.6	3.3	4.3	7.9	7.88	11.0	11.0	17.25	23.64	30.12	36.2
Mass (lbs):	6.6	7.93	7.31	9.46	17.42	17.37	24.25	24.25	38.03	52.12	66.40	79.81
<b>CONNECTION</b>												
Cable, Copper panel wire:	2mm <sup>2</sup> (14 AWG)				5mm <sup>2</sup> (10AWG)							
Screw terminal torque:	1.76Nm (15.6lb-in)											
<b>LISTINGS</b>												
Underwriters Laboratories Inc:	UL Listed, Control # 37WJ / File # E205817											

## WARNING

Risk of electric shock! Dangerously high voltages can be present up to 2 hours after the DPI has been disconnected. NEVER attempt maintenance on the DPI during this period unless storage capacitors have been manually discharged.

# VDC Specifications

	120V MODELS												
	VDC S4T1K120		VDC S6T1K120		VDC L4T3K120		VDC L6T3K120						
	<b>AC INPUT SUPPLY</b>												
	Single phase supply voltage 50/60Hz:	120V											
	Maximum input voltage:	+10%											
Minimum input voltage:	-50%		-64%		-50%		-64%						
Full load current (A RMS):	8.5A		8.5A		24A		24A						
Maximum surge current for 3 seconds duration:	550A												
<b>AC OUTPUT</b>													
Nominal output voltage:	120V												
Voltage fluctuations over full operating range:	± 10%												
Nominal load current (A):	8.5A		8.5A		24A		24A						
Power factor range:	cos Φ from 1 to 0												
Wave shape:	Sinusoidal												
Nominal load (VA):	1000		1000		3000		3000						
Maximum up-time (sec):													
Timer control:	3.15s												
I <sup>2</sup> t control:	See Figs 9 & 10 p12												
Overload current limit (A RMS):	12A		12A		35A		35A						
Short circuit current limit (A RMS):	30A		30A		75A		75A						
<b>TIMER</b>													
Range:	0.05 to 3.15s												
Setting:	0.05s steps												
<b>INDICATORS</b>													
System OK:	green LED												
Compensator running:	red LED												
<b>TEMPERATURE</b>													
Maximum ambient working temperature:	45°C (113°F)												
<b>CUBICLE</b>													
Construction:	Extruded Aluminum												
Height (mm) (Dim. L3 on p10):	280		305		273		273						
Height (in) (Dim. L3 on p10):	11.02		12.07		10.75		10.75						
Width mm (in):	150 (5.90)				311 (12.24)								
Depth mm (in):	110 (4.33)				162 (6.38)								
Mass (kg):	5.0		5.0		9.0		9.0						
Mass (lbs):	11.0		11.0		19.8		19.8						
<b>CONNECTION</b>													
Cable, Copper panel wire; size mm <sup>2</sup> :	2mm <sup>2</sup>				5mm <sup>2</sup>								
Cable, Copper panel wire; size AWG:	14 AWG				10 AWG								
Screw terminal torque Nm (lb-in):	1.76Nm (15.6lb-n)												
<b>LISTINGS</b>													
Underwriters Laboratories Inc:	Listing pending.												
<b>STANDARDS SUPPORTED</b>													
SEMI F47:	Semiconductor processing equipment voltage sag immunity.												

*The VDC family is designed for applications that must meet the SEMI F47 Voltage Sag Immunity Standard for Semiconductor Processing Equipment and where size and cost are critical factors.*

# VDC Specifications

208 / 220 / 230V MODELS												
	VDC S4T1K208	VDC S6T1K208	VDC L4T5K208	VDC L6T5K208	VDC S4T1K220	VDC S6T1K220	VDC L4T5K220	VDC L6T5K220	VDC S4T1K230	VDC S6T1K230	VDC L4T5K230	VDC L6T5K230
<b>AC INPUT SUPPLY</b>												
Single phase supply voltage 50/60Hz:	208V			220V				230V				
Maximum input voltage:	+10%											
Minimum input voltage:	-50%	-64%	-50%	-64%	-50%	-64%	-50%	-64%	-50%	-64%	-50%	-64%
Full load current (A RMS):	4.8A	24A	4.6A	22.7A	4.3A	21.7A						
Maximum surge current for 3 cycles duration:	550A											
<b>AC OUTPUT</b>												
Nominal output voltage (V):	208V			220V				230V				
Voltage fluctuations over full operating range:	± 10%											
Nominal load current (A):	4.8A	24A	4.6A	22.7A	4.3A	21.7A						
Power factor range:	cos Φ from 1 to 0											
Wave shape:	Sinusoidal											
Nominal load (VA):	1000	5000	1000	5000	1000	5000						
Maximum up-time (sec):												
Timer control:	3.15s											
I <sup>2</sup> t control:	See Figs 9 & 10 p12											
Overload current limit (A RMS):	12A	28A	12A	28A	12A	28A						
Short circuit current limit (A RMS):	35A	75A	35A	75A	35A	75A						
<b>TIMER</b>												
Range:	0.05 to 3.15s											
Setting:	0.05s steps											
<b>INDICATORS</b>												
System OK:	green LED											
Compensator running:	red LED											
<b>TEMPERATURE</b>												
Maximum ambient working temperature:	45°C (113°F)											
<b>CUBICLE</b>												
Construction:	Extruded Aluminum											
Height (mm) (Dim. L3 on p10):	280	304	293	280	304	293	280	304	293			
Height (in) (Dim. L3 on p10):	11.02	11.97	11.54	11.02	11.97	11.54	11.02	11.97	11.54			
Width mm (in):	150 (5.90)	311 (12.24)	150 (5.90)	311 (12.24)	150 (5.90)	311 (12.24)	150 (5.90)	311 (12.24)				
Depth mm (in):	110 (4.33)	162 (6.38)	110 (4.33)	162 (6.38)	110 (4.33)	162 (6.38)	110 (4.33)	162 (6.38)				
Mass (kg):	5.0	9.0	5.0	9.0	5.0	9.0	5.0	9.0				
Mass (lbs):	11.0	19.8	11.0	19.8	11.0	19.8	11.0	19.8				
<b>CONNECTION</b>												
Cable, Copper panel wire; size mm <sup>2</sup> :	2mm <sup>2</sup>	5mm <sup>2</sup>	2mm <sup>2</sup>	5mm <sup>2</sup>	2mm <sup>2</sup>	5mm <sup>2</sup>	2mm <sup>2</sup>	5mm <sup>2</sup>				
Cable, Copper panel wire; size AWG:	14AWG	10AWG	14AWG	10AWG	14AWG	10AWG	14AWG	10AWG				
Screw terminal torque Nm (lb-in):	1.76Nm (15.6lb-in)											
<b>LISTINGS</b>												
Underwriters Laboratories Inc:	Listing pending.											
<b>STANDARDS SUPPORTED</b>												
SEMI F47:	Semiconductor processing equipment voltage sag immunity.											

*The VDC S6T & L6T series should be used for critical applications where support down to 37% of nominal supply voltage is needed.*

# DPI & VDC Specifications:

## Mechanical

Model	DPI Dimensions mm (in)							
	L1	L2	L3	L4	L5	L6	L7	D
DPI52S25-12	150 (5.91)	210 (8.27)	259 (10.20)					
DPI52S50-12	200 (7.87)	260 (10.24)	309 (12.12)	110 (4.33)	150 (5.90)	30 (1.18)	140 (5.50)	6.0 (0.24)
DPI52S95J12								
DPI52S190J12	270 (10.63)	330 (12.99)	379 (14.92)					
DPI52L1K5-12	160 (6.30)	280 (11.02)	329 (12.95)					
DPI52L238J12								
DPI52L475J12	186 (7.32)	306 (12.05)	355 (13.98)			60 (2.36)		
DPI52L713J12	250 (9.84)	370 (14.57)	419 (16.50)	162 (6.38)	311 (12.24)		296 (11.65)	8.0 (0.31)
DPI52L3K12								
DPI52L950J12	198 (7.80)	458 (18.03)	507 (19.96)					
DPI52L1188J12								
DPI52L1663J12	355 (13.98)	595 (24.43)	644 (25.35)			130 (5.12)		
DPI52L2376J12	478 (18.82)	738 (29.06)	787 (30.98)					

DPI52S25-23	150 (5.91)	210 (8.27)	259 (10.20)					
DPI52S50-23	200 (7.87)	260 (10.24)	309 (12.12)	110 (4.33)	150 (5.90)	30 (1.18)	140 (5.50)	6.0 (0.24)
DPI52S108J23								
DPI52S216J23	270 (10.63)	330 (12.99)	379 (14.92)					
DPI52L2K23	160 (6.30)	280 (11.02)	329 (12.95)					
DPI52L396J23								
DPI52L4K5-23	250 (9.84)	370 (14.57)	419 (16.50)	162 (6.38)	311 (12.24)		296 (11.65)	8.0 (0.31)
DPI52L794J23								
DPI52L1587J23	286 (11.26)	546 (21.50)	595 (23.43)					
DPI52L2381J23	478 (18.82)	738 (29.06)	787 (30.98)					
DPI52L3174J23	332.5 (13.09)*	925 (36.42)	974 (38.35)			130 (5.12)		
DPI52L3968J23	418 (16.46)*	1096 (43.15)	1145 (45.08)					

\* Indicates 6 mounting holes see dimension L1\*

Model	VDC Dimensions mm (in)							
	L1	L2	L3	L4	L5	L6	L7	D
VDC S4T1K120	177 (6.97)	237 (9.33)	280 (11.02)	110 (4.33)	150 (5.90)	30 (1.18)	140 (5.50)	6.0 (0.24)
VDC S6T1K120	200 (7.87)	260 (10.24)	303 (11.93)					
VDC L4T3K120	170 (6.69)	250 (9.84)	293 (11.54)	162 (6.38)	311 (12.24)	40 (1.57)	296 (11.65)	8.0 (0.31)
VDC L6T3K120								
VDC S4T1K208	177 (6.97)	237 (9.33)	280 (11.02)	110 (4.33)	150 (5.90)	30 (1.18)	140 (5.50)	6.0 (0.24)
VDC S6T1K208	200 (7.87)	260 (10.24)	303 (11.93)					
VDC L4T5K208	170 (6.69)	250 (9.84)	293 (11.54)	162 (6.38)	311 (12.24)	40 (1.57)	296 (11.65)	8.0 (0.31)
VDC L6T5K208								
VDC S4T1K220	177 (6.97)	237 (9.33)	280 (11.02)	110 (4.33)	150 (5.90)	30 (1.18)	140 (5.50)	6.0 (0.24)
VDC S6T1K220	200 (7.87)	260 (10.24)	303 (11.93)					
VDC L4T5K220	170 (6.69)	250 (9.84)	293 (11.54)	162 (6.38)	311 (12.24)	40 (1.57)	296 (11.65)	8.0 (0.31)
VDC L6T5K220								
VDC S4T1K230	177 (6.97)	237 (9.33)	280 (11.02)	110 (4.33)	150 (5.90)	30 (1.18)	140 (5.50)	6.0 (0.24)
VDC S6T1K230	200 (7.87)	260 (10.24)	303 (11.93)					
VDC L4T5K230	170 (6.69)	250 (9.84)	293 (11.54)	162 (6.38)	311 (12.24)	40 (1.57)	296 (11.65)	8.0 (0.31)
VDC L6T5K230								

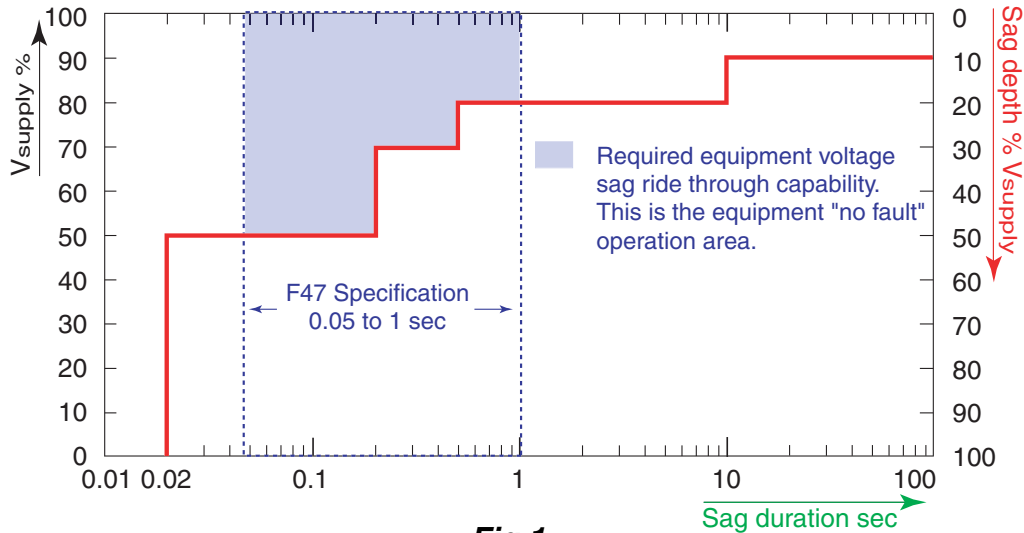


# VDC support for SEMI F47

## Voltage Sag Immunity Standard

### VDC supports the SEMI F47 standard

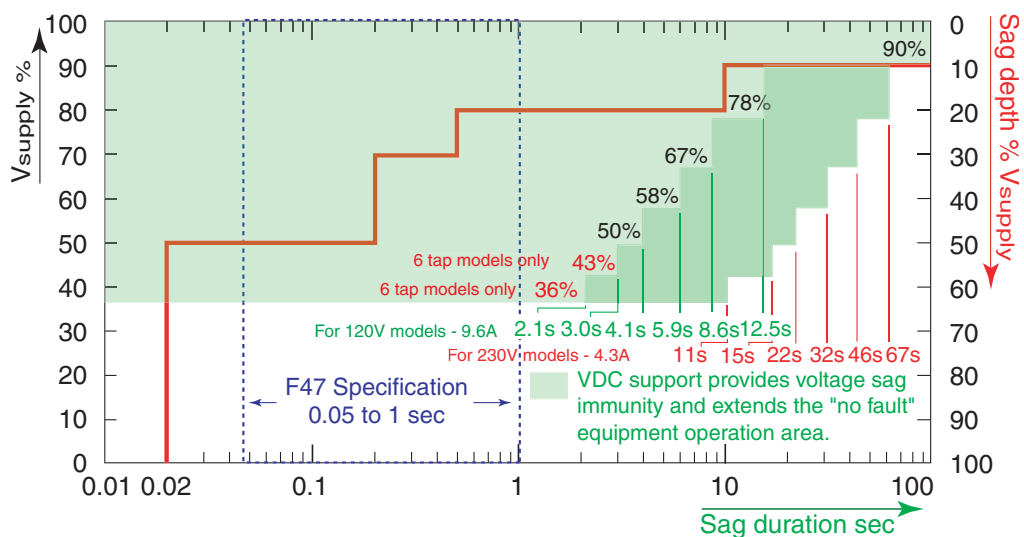
This standard was drafted by the Semiconductor Industry to specify Voltage Sag Immunity requirements for semiconductor processing equipment. The profile for the F47 standard is shown in Fig 1.



**Fig 1**  
SEMI F47 Standard.

The blue zone represents the operation area where no equipment faults must occur due to voltage sags on the supply. The “no fault” window is from 50ms to 1 second with variable depth sag to a maximum of 50% of the nominal supply voltage.

The VDC family is designed for applications that must meet the SEMI F47 Voltage Sag Immunity Standard for Semiconductor Processing Equipment and where size and cost are critical factors.



**Fig 2**

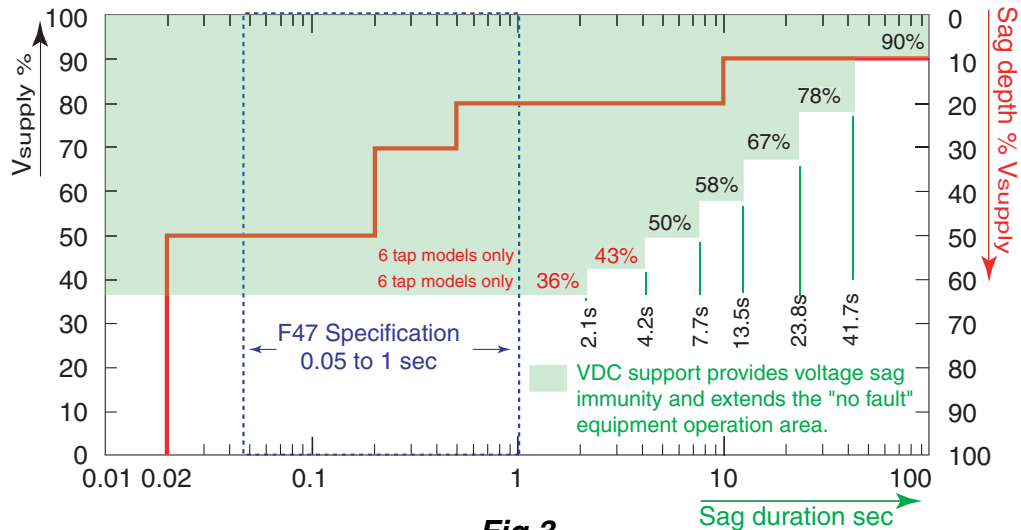
VDC extended support for the SEMI F47 Standard. Times shown are for the VDC S4T/6T series with  $I_{load} = 9.6A$  for 120V models,  $I_{load} = 4.3A$  for 230V models & duty cycle 1 maximum length event every 20 minutes.

The green area in Fig 2 shows the extended support provided by the VDC S4T/6T series. Support times are shown in green for 120V models at a load current of 9.6 amps and in red for 230 models at a load current of 4.3 amps. The “no fault” window is extended from 50ms to 4.1 &

# VDC support for SEMI F47

## Voltage Sag Immunity Standard

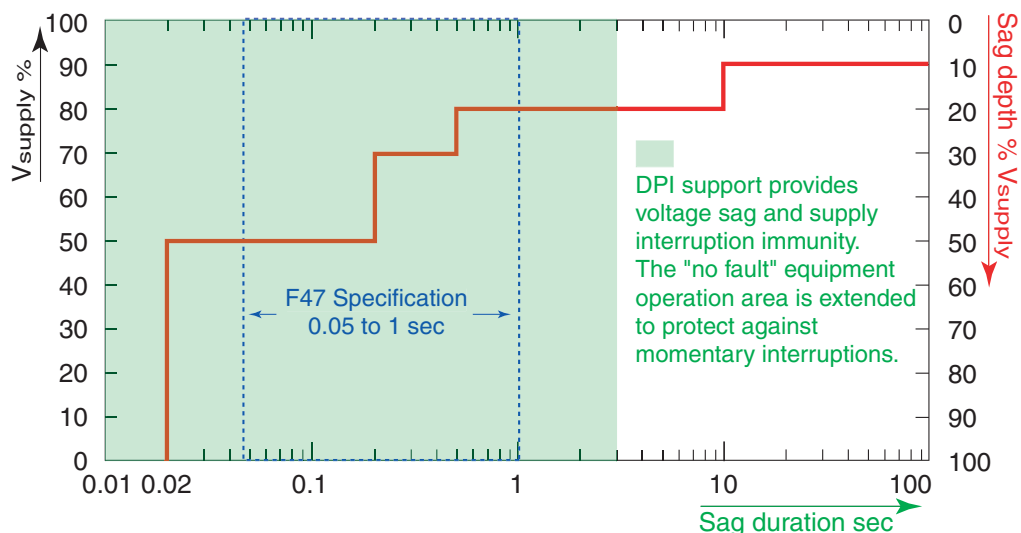
12.5 seconds respectively with a maximum continuous sag depth of 50%. VDC L4T3K/5K & VDC L6T3K/5K support times are shown in Fig 3.



**Fig 3**

VDC extended support for the SEMI F47 Standard. Times shown are for the VDC L4T/6T 3K/5K series with  $I_{load} = 24A$  & duty cycle 1 maximum length event every 7 minutes.

The VDC S6T & L6T series should be used for critical applications where support down to 37% of nominal supply voltage is needed. The Fig 3 shows the extended support area. The "no fault" window is extended from 50ms to 2.1 seconds with a maximum continuous sag depth of 63%.



**Fig 4**

*DPI support for the SEMI F47 Standard.*

For applications that require protection against momentary interruptions and sags refer to our **Voltage Dip Proofing Inverter (DPI)** product line for a simple cost effective solution that is easy to integrate into OEM products or retrofit to existing equipment. The DPI support profile is shown together with the F47 curve in Fig 4. It can be seen that the DPI provides complete protection for all sag depths and interruptions from 0 to 3 seconds.

# DPI & VDC Accessories :

## For use with all models

### Voltage Sag Simulator

#### Description

The Sag Simulator is an effective tool to evaluate the effects of momentary voltage sags and interruptions on industrial controls. When used in conjunction with a Voltage Dip-Proofing Inverter or a Voltage Dip Compensator and Bypass switch, it may be used to prove the effectiveness of the DPI or VDC as a solution for these power quality problems.

The Sag Simulator is designed for 120/208/240Vac operation. The controls consist of a variac to set the sag depth, an LCD display to indicate the sag voltage value and program status, four programming keys to set up and operate the simulator. A variable interrupt timer sets the duration of the voltage sag and the point in the cycle at which it begins. Both variables are set using the programming keys and are indicated on the LCD display.

Simulator output is short circuit and overload protected. A 5V synchronization pulse is provided to trigger an oscilloscope. A photograph appears on page 1; the specifications are shown below.

Setting: 0.01 ms steps  
 SAG DURATION TIMER  
 Range: 0.010 to 9.999 seconds  
 Setting: 0.001 second steps

CONTROLS & INDICATORS  
 Programming: Four push switches  
 Menu/parameter indicator: 4 x 20 LCD display

SYNC PULSE OUTPUT  
 Amplitude: 5V  
 Polarity: Positive  
 Electrically isolated output: Yes  
 Duration: Equal to sag duration

TEMPERATURE  
 Maximum ambient working temperature: 45°C (113°F)

HOUSING  
 Construction: Extruded aluminium  
 Height: 390mm (15.35in)  
 Width: 311mm (12.24in)  
 Depth: 162mm (6.38in)  
 Mass: 15kg (33lb)

ORDERING  
 Stock no 5003-085  
 Description Voltage Sag Simulator

### Sag Simulator Specifications

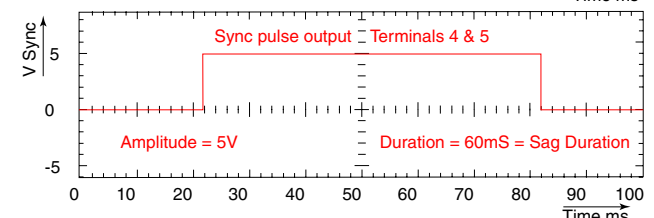
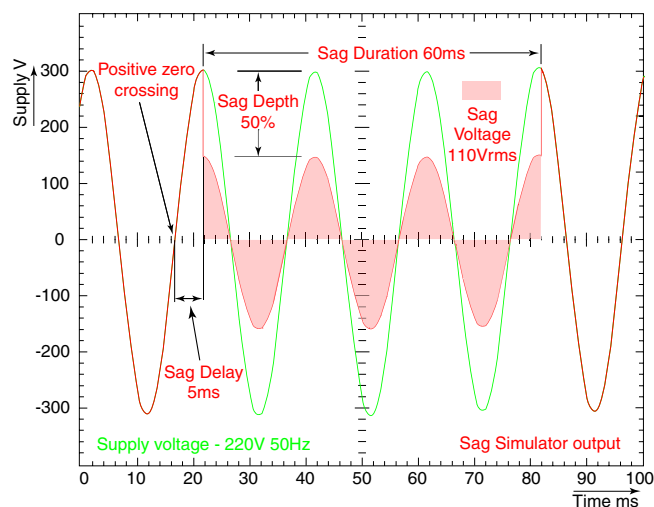
AC INPUT SUPPLY  
 Supply voltage: 120/208/240Vac 50/60Hz  
 Maximum input voltage: +10%  
 Full load current: 20A

VARIAC CONTROL  
 Variac range: 0-240Vac RMS  
 Maximum power: 1200VA @ 120V / 2400VA @ 240V  
 Maximum continuous current: 10A Maximum short term current for 3 seconds: 20A  
 Overload & short circuit protection: Yes

DIRECT VARIAC OUTPUT  
 Variac range: 0-240Vac RMS  
 Maximum power: 1200VA @ 120V / 2400VA @ 240V  
 Maximum continuous current: 10A  
 Overload & short circuit protection: Yes

SAG DELAY TIMER  
 Range: 0.00 to 20.00 ms

### Simulated Sag Profile



# DPI & VDC Accessories :

## For use with all models

### Housed Bypass Switch

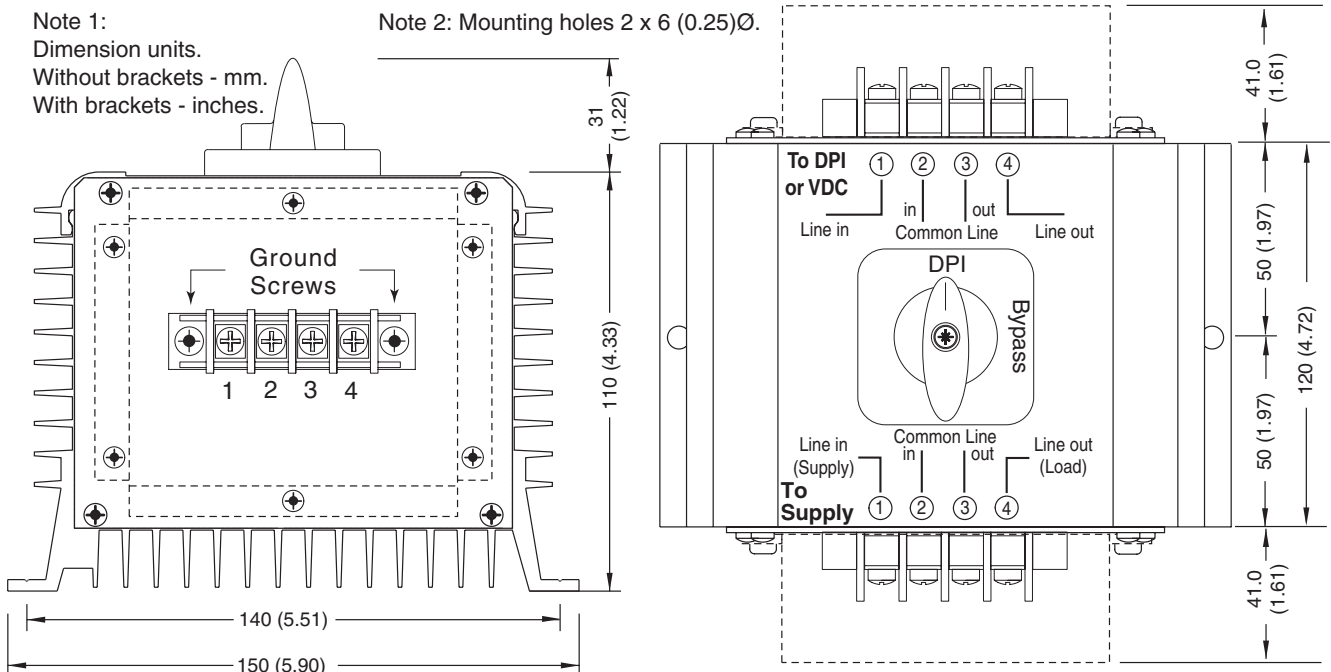
#### Description

Where no-break maintenance is required a by pass switch must be installed. It connects the supply directly to the load, "Bypass" position, and disconnects the power terminals of the inverter without interrupting the supply. When in "DPI" position the load is connected to the supply via the inverter.

#### Specifications

MODEL	BPSW25A
ELECTRICAL	
Maximum current:	25A
Maximum input voltage:	600Vac
TEMPERATURE	
Maximum working temperature:	45°C (113°F)
HOUSING	
Construction:	Extruded Aluminum
Height:	202mm (7.95in)
Width:	150mm (5.9in)
Depth:	141mm (5.55in)
Mass:	1kg (2.2lbs)

#### Mechanical outline



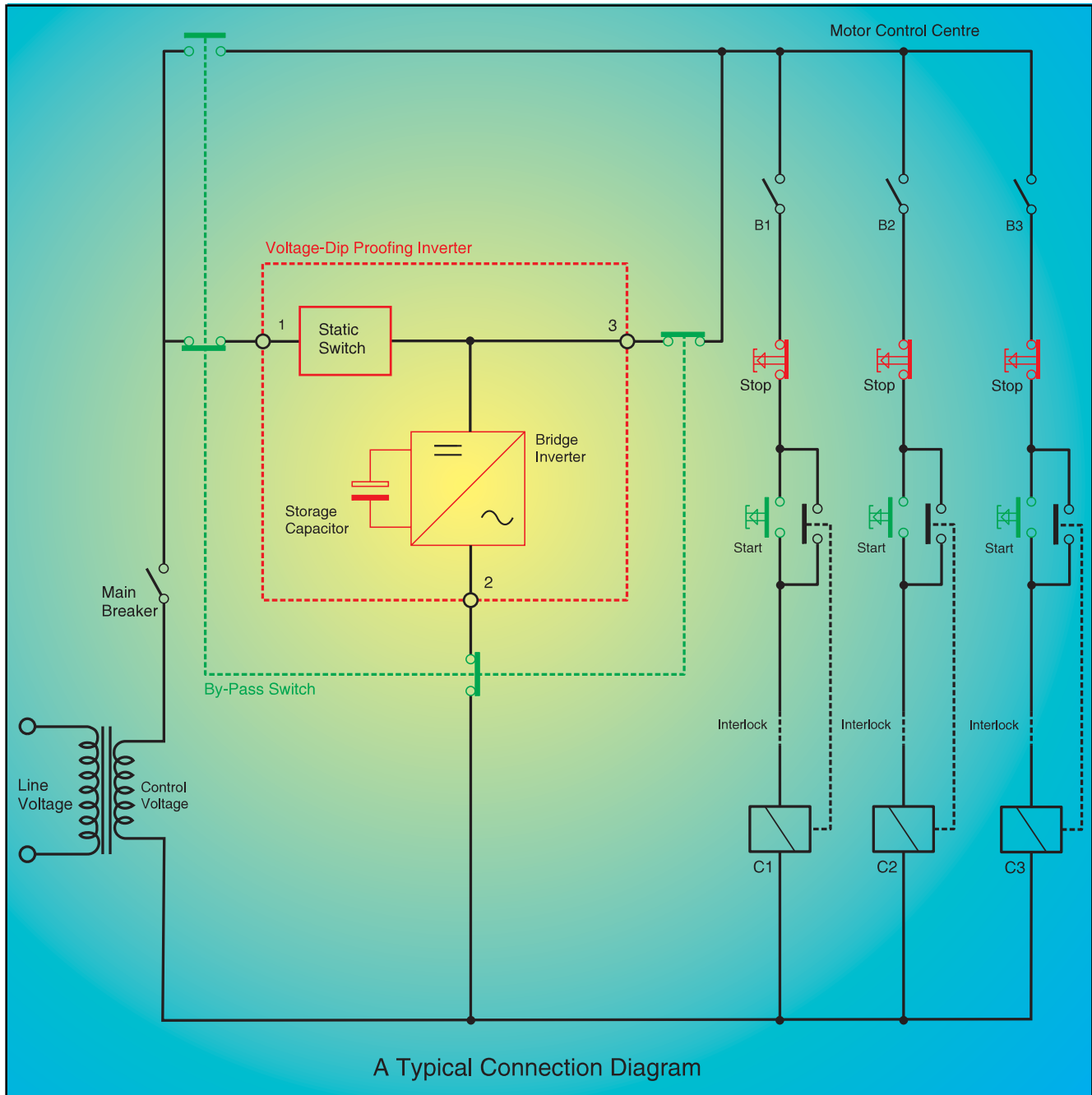
#### Ordering

Stock No:  
5003-006

Description  
Housed By-Pass Switch 25Amp

# Voltage-Dip Proofing Inverters<sup>TM</sup> & Voltage-Dip Compensators<sup>TM</sup>

prevent production down time caused by momentary voltage sags and interruptions.



***DIP-PROOFING***  
**TECHNOLOGIES INC.**  
LEADERS IN VOLTAGE-DIP PROOFING

1941 Lake Whatcom Blvd. #112  
Bellingham WA 98229  
USA

e-mail: [sales@dipproof.com](mailto:sales@dipproof.com)  
Web: [www.dipproof.com](http://www.dipproof.com)